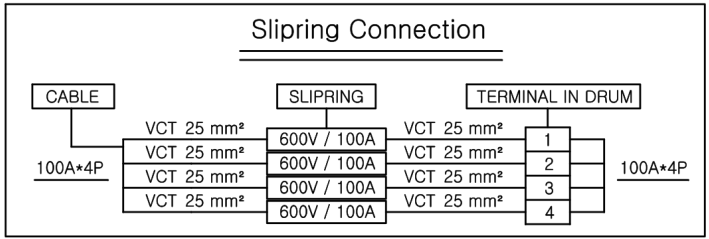
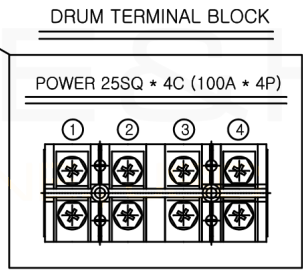
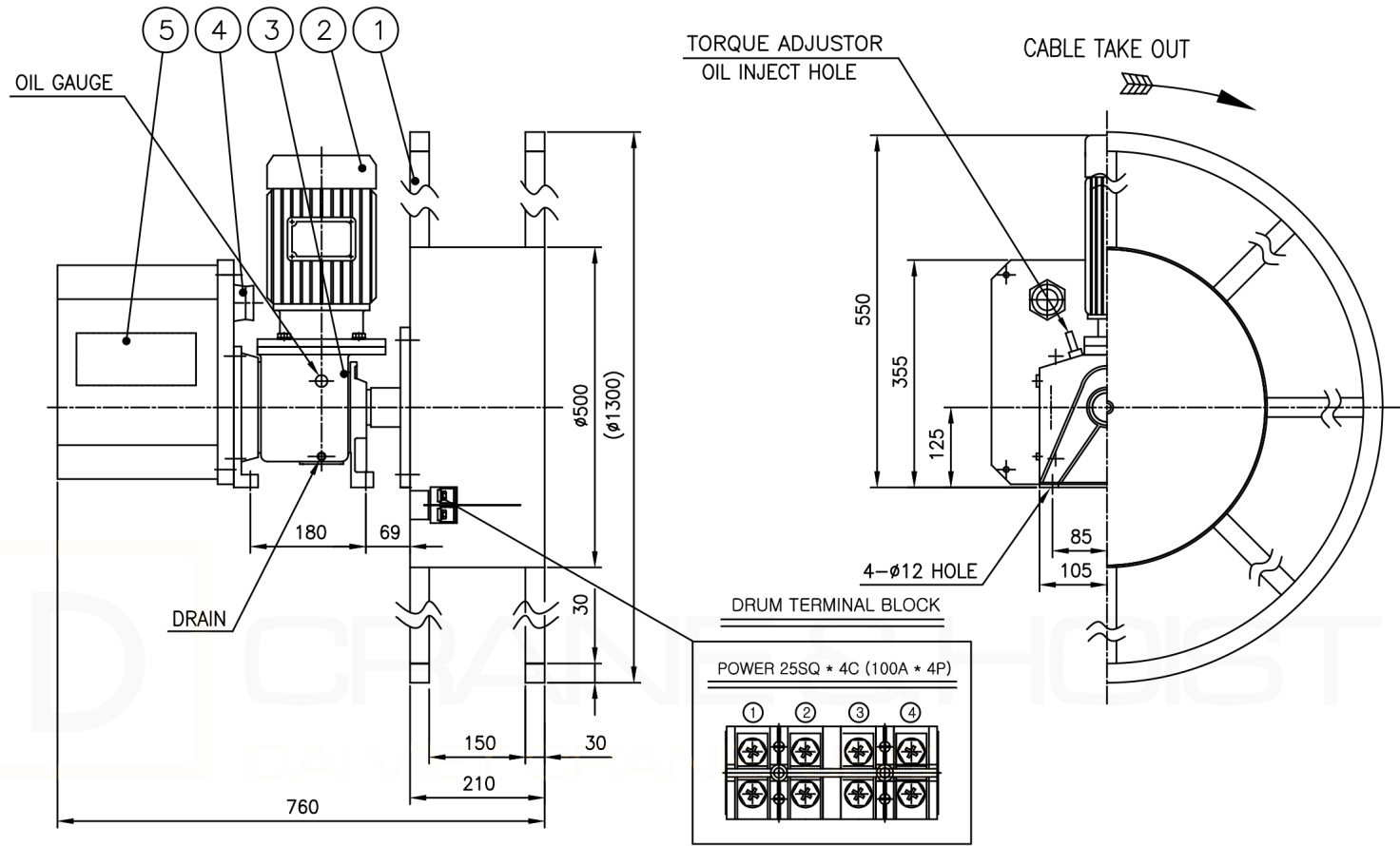
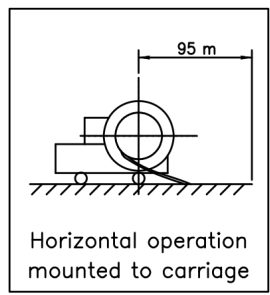
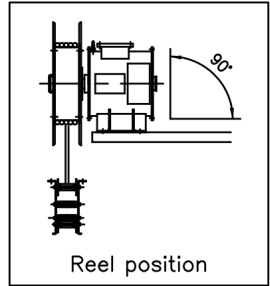
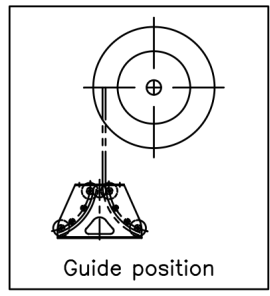


MARK	REVISIONS NO	REASONABLE RVISIONS	DATE	DWN	APVD



**SPECIFICATION**

- 1. Cable
  - o PNCT 25 sq x 4c
  - o Size : approx. 30.2 mm
  - o Weight : approx. 1.176 kg/m
  - o Length : 100M
- 2. Winding Length : 95M
- 3. Winding Speed : max. 20 M/MIN
- 4. Winding Torque : 4 Kg.m

- 5. Power Source : AC 380V, 3ph, 50Hz
- 6. Slip Ring : 100A x 4P
- 7. Paint Color : MUNSSELL No. 7.5 BG6/1.5 ( Out Door-60um)
- 8. Setting Height : Max. 2.0 m from G.L.
- 9. Q' ty : 1 Set

5		SLIP RING	C3771	4	
4		CONNECTOR		1	
3		REDUCER		1	
2		MOTOR	KOREEL	1	0.75KW
1		DRUM	SPHC	2	
ITEM 순번	PARTS NO. 고객	PART NAME 품명	MATERIAL 재질	Q'TY 수량	REMARKS 비고
PROJECTION 3rd ANGLE		DIMENSIONS METRIC (mm)		SCALE 1 : 1	MODEL SF1-25100-4
CUSTOMER VNID		MODEL COLOR 7.5 BG6/1.5		PART NAME ASS'Y	
SIGN		DESIGN P.S.Y		PART NO. Z830-2000	
DATE 2017.3.10		CHECK		APPROVAL	



A4(210X297)